

www.stagemaker.com

Stage winch

# ELECTRIC WINCH EW1

For loads from 300 to 500 kg



STAGEMAKER®

# STAGEMAKER®

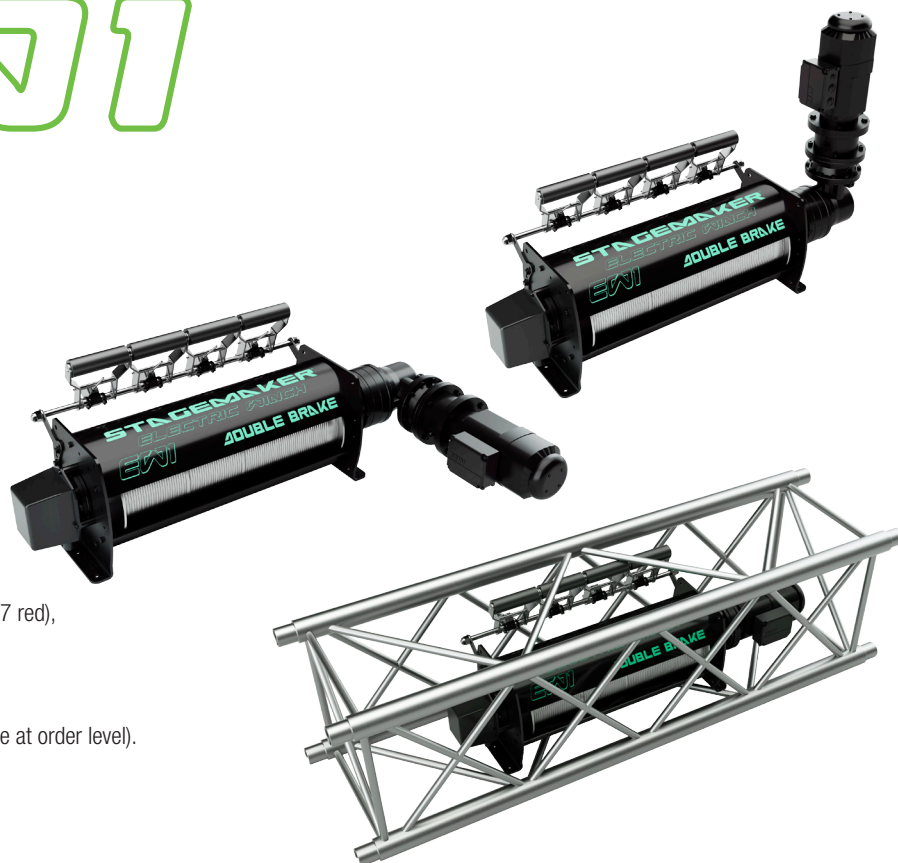
Stage winch

## ELECTRIC WINCH

# EWI

### Technical Characteristics

- > Speed (m/min.) : 5 or 10.
- > Safety factor : 5.
- > Number of wire rope output : 1 to 6.
- > Wire rope capacity on drum : up to 22 m.
- > Power supply : 400V/3ph/50 Hz.
- > Control voltage : low voltage or direct control.
- > Winch construction : straight or "L" shape.
- > Number of brake : 1.
- > Grooved drum : yes.
- > Plug on power supply / control : direct control (1 x P17 red), low voltage (1 x P17 red + 1 x P17 yellow).
- > Electric cubicle : deliver standard on the winch.
- > Frame color : black mat.
- > Cables output angles : multiple possibility (to be define at order level).



### Range

Load capacity	300 kg (as basic 6 wire rope output)		500 kg (as basic 6 wire rope output)	
	Direct control	Low voltage	Direct control	Low voltage
Speed 5 m/min.	●	●	●	●
Speed 10 m/min.	●	●	●	●

### Options

- > Another load capacity : on request.
- > Another safety factor : 8 or 10.
- > Another fixed speed : on request.
- > Another variable speed : on request.
- > Another number of wire rope output : on request.
- > Frame : chassis wheelbarrow, chassis for Truss of 50.
- > Gear limit switch : Eco (2 positions), Premium (Stromag 4, 6 or 8 positions (stop/slowdown)).
- > Load limiter (electronic) by voltage consumption measure : on request.
- > Slack rope detection : on request.
- > Drum rope pressure : on request.
- > Double brake : variante 1 (brake in between gearbox and motor), variante 2 (second brake on the second gearbox and opposite to the shaft).
- > Brake release : on request.
- > Safety DIN : D8+ /C1 (on request).
- > Encoder : on request (incremental or absolute).
- > Power supply : 230 tri/460 60 Hz.
- > Control interface : push button box.
- > 2 winches synchronisation : on request.
- > Special paint : on request.
- > Wire rope : on request.
- > Return pulley and frame : on request.
- > Supply of special frame for multiple pulley : on request.
- > Electrics : without (on request).
- > Power supply and control plugs : Harting HE6.
- > Electric cubicle : separate from the winch (on request).

STAGEMAKER Europe - VERLINDE

2, boulevard de l'Industrie - B.P. 20059 - 28509 Vernouillet cedex - France

Phone : +33 (0)2 37 38 95 95 - Fax : +33 (0)2 37 38 95 99 - Website : [www.stagemaker.com](http://www.stagemaker.com)