

C.H.D.



Manual trolley for loads of 250 to 10000 kg



2, boulevard de l'Industrie - B.P. 59 - 28501 Vernouillet cedex - France
Téléphone : (33) 02 37 38 95 95 - Télécopieur : (33) 02 37 38 95 99
Internet : www.verlinde.com

JV 02 2002 121GB

C.H.D.

Manual trolley

For loads of 250 to 10000 kg

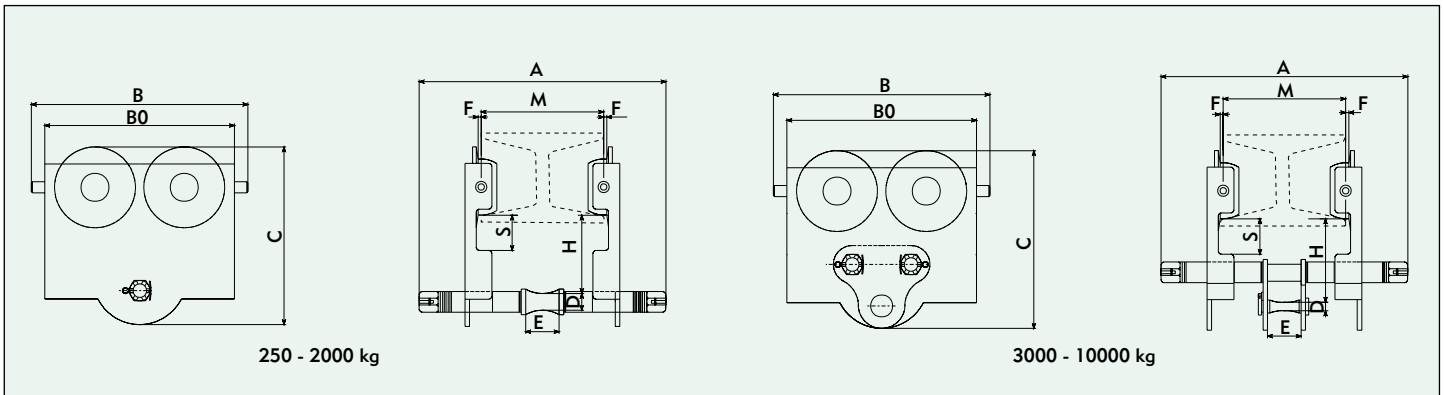


PHD
Hand chain block
250 - 10000 kg

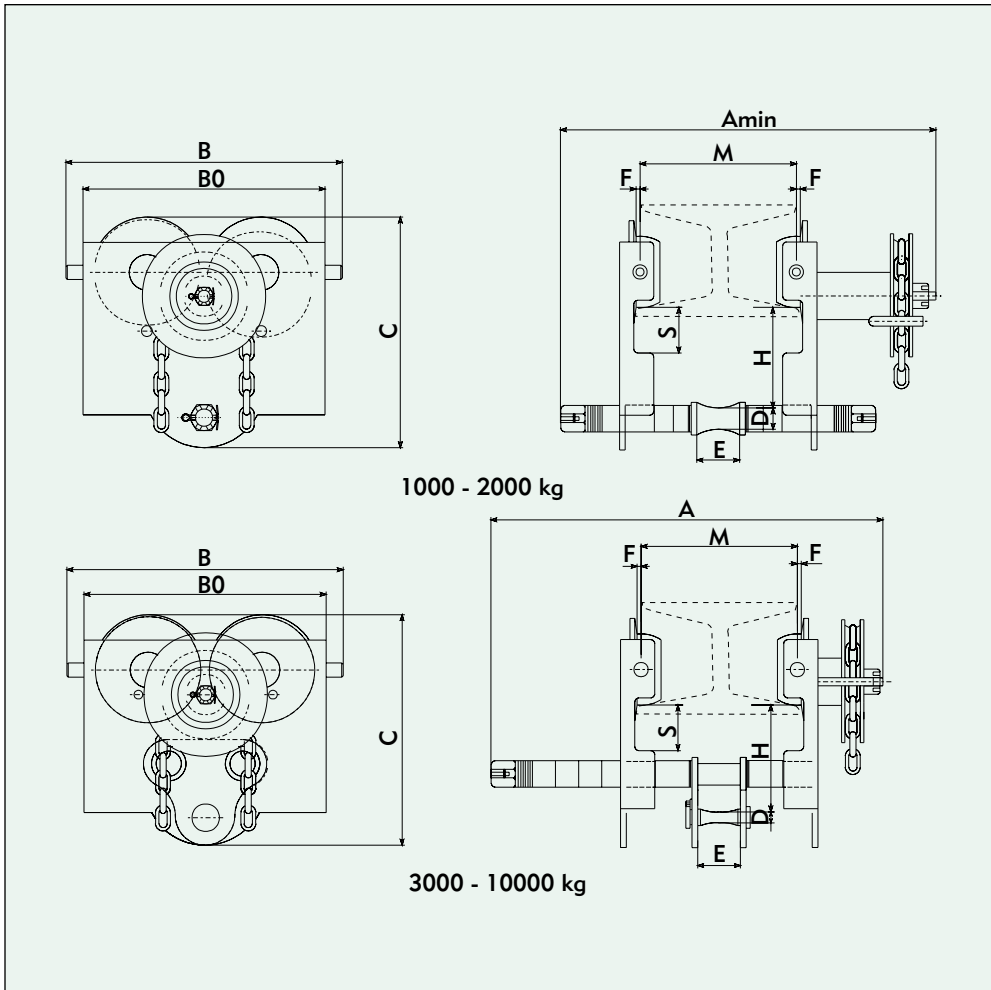
MANUAL TROLLEY TYPE CHD GENERAL CONCEPT

- The **CHD** allows the suspension of all types of lifting hook devices provided.
- The trolley width is adjustable according to beam size.
- Movement is achieved by pushing.
- Delivered. ready to assemble in box.
- Guaranteed 12 months
- Trolley flange in high resistance steel.
- Rollers: rims of wheels shaped to run on all types of monorail steel.
- Hook shaft: in steel, ensuring the overall rigidity of the assembly and the adjustment of the trolley width to adapt to varying rail sizes.(variable width available with **CHD** models).

DIMENSIONS OF PUSH TRAVEL TROLLEY TYPE CHD



| SWL (kg) | | 250 | 500 | 1000 | 2000 | 3000 | 5000 | 8000 | 10000 | |
|-------------------------|------|----------|--------|---------|---------|---------|---------|---------|---------|---------|
| Testing load (kN) | | 3.98 | 7.35 | 14.71 | 29.42 | 44.13 | 61.29 | 98.06 | 122.58 | |
| Min radius of curve (m) | | 0.65 | 0.70 | 0.95 | 1.1 | 1.3 | 1.4 | 1.9 | 2.0 | |
| Dimensions (mm) | A mm | X-head 1 | 284 | 303 | 336 | 340 | 362 | 384 | 401 | 408 |
| | | X-head 2 | - | 411 | 435 | 448 | 470 | 490 | 507 | 514 |
| | B | 194 | 210 | 249 | 296 | 346 | 386 | 439 | 466 | |
| | B0 | 170 | 186 | 225 | 272 | 322 | 362 | 415 | 442 | |
| | C | 160 | 174 | 211 | 252 | 310 | 348 | 398 | 421 | |
| | D | 15 | 20 | 22 | 28 | 28 | 35 | 43 | 47 | |
| | E | 32 | 32 | 39 | 42 | 49 | 60 | 68 | 70 | |
| | H | 60 | 62 | 81 | 96 | 129 | 162 | 176 | 187 | |
| I-beam width (mm) | M | X-head 1 | 50-202 | 50-200 | 65-200 | 88-200 | 100-200 | 114-200 | 124-200 | 124-200 |
| | | X-head 2 | - | 188-310 | 188-310 | 188-310 | 188-310 | 188-310 | 188-310 | 188-310 |
| Net weight (kg) | | X-head 1 | 4.1 | 6.5 | 10.5 | 18 | 38 | 58.5 | 100 | 116 |
| | | X-head 2 | - | 8 | 12 | 20 | 40 | 61 | 102.5 | 119 |



CHDD trolley give same characteristics as CHD except :

- Travelling with hand chain and driving wheels
- Height of hand travelling chain: 2,5 m.



CHDD
Manual trolley
with hand chain
250 - 10000 kg

DIMENSIONS OF CHAIN TRAVEL TROLLEY TYPE CHDD

| | | | | | | | | | | |
|-----------------------------------|----------|----------|---------|---------|---------|---------|---------|---------|---------|---------|
| SWL (kg) | | | 250 | 500 | 1000 | 2000 | 3000 | 5000 | 8000 | 10000 |
| Testing load (kN) | | | 3.98 | 7.35 | 14.71 | 29.42 | 44.13 | 61.29 | 98.06 | 122.58 |
| Height of hand chain travel (m) | | | 2,5 | | | | | | | |
| Pulling force under full load (N) | | | 22 | 35 | 55 | 90 | 95 | 140 | 200 | 240 |
| Min radius of curve (m) | | | 0.95 | 0.95 | 0.95 | 1.1 | 1.3 | 1.4 | 1.9 | 2.0 |
| Dimensions (mm) | A min | X-head 1 | 392 | 392 | 392 | 400 | 374 | 392 | 413 | 421 |
| | | X-head 2 | 499 | 499 | 499 | 504 | 482 | 498 | 519 | 527 |
| | B | | 249 | 249 | 249 | 296 | 346 | 386 | 439 | 466 |
| | Bo | | | | 225 | 272 | 322 | 362 | 415 | 442 |
| | C | | 211 | 211 | 211 | 252 | 310 | 348 | 398 | 421 |
| | D | | 22 | 22 | 22 | 28 | 28 | 35 | 43 | 47 |
| | E | | 39 | 39 | 39 | 42 | 49 | 60 | 68 | 70 |
| | H | | 81 | 81 | 81 | 96 | 129 | 162 | 176 | 187 |
| | S | | 38 | 38 | 38 | 38 | 40 | 42 | 45 | 45 |
| | F | | 1.53 | | | | | | 23.5 | |
| I-beam width (mm) | M | X-head 1 | 65-200 | 65-200 | 65-200 | 88-200 | 100-200 | 114-200 | 124-200 | 124-200 |
| | | X-head 2 | 188-310 | 188-310 | 188-310 | 188-310 | 188-310 | 188-310 | 188-310 | 188-310 |
| Net weight (kg) | X-head 1 | | 14 | 14 | 14 | 21.5 | 42 | 62.5 | 104 | 120 |
| | X-head 2 | | 15.5 | 15.5 | 15.5 | 23.5 | 44 | 65 | 106.5 | 123 |



VERLINDE is :

- The leading French constructor and exporter of hoisting and mechanical handling equipment.
- A group employing 5,000 staff.
- A large range hoisting equipment from 125 to 80.000 kg
- ISO 9001 quality control certified.
- Easily-accessible consultants in over 80 countries.



In France

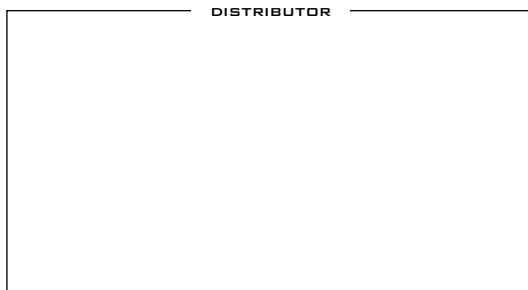
9 Sales offices, 14 after sale service centres,
11 manufacturing plants for EUROPONT
travelling cranes and a national distribution network.

World-wide

Branches in Germany, Holland, Belgium, Italy and distributors in Germany, Spain, Argentina, Austria, Brazil, Chilli, United Kingdom, Sweden, Norway, Denmark, China, Thailand, Indonesia, Vietnam, Malaysia, United States, etc.



PHD
Manual chain hoist
250 - 3000 kg



PLV
Lever hoist
250 - 3000 kg